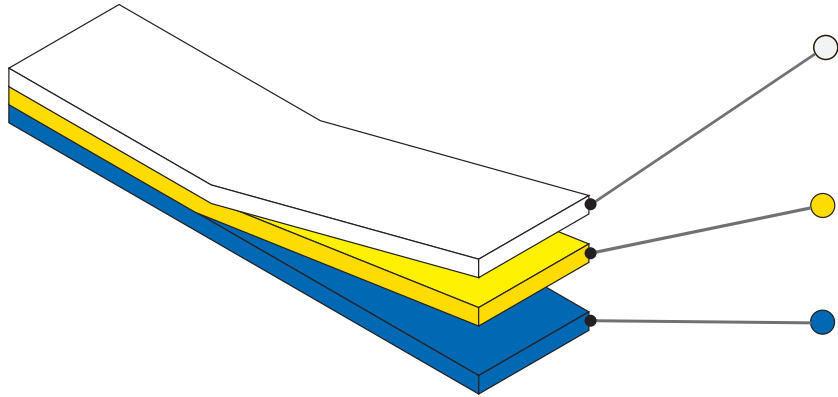




TECHNICAL DATA

TT701

Thermal Transfer Matte White Polyester Film



Face Stock: 2.3 mil topcoated matte white polyester offers excellent abrasion and harsh chemical resistance. The material performs best when used on the topside of a circuit board where heat exposure is limited. The material topcoat is designed for thermal transfer and UV flexographic printing.

Adhesive: 0.8 mil high performance permanent acrylic adhesive offering superior harsh chemical wash and abrasion resistance.

Release Liner: 55# kraft liner or a 1.5 mil polyester liner designed to offer excellent performance for both manual and automatic application.

Product Description:

TT701 is designed for on demand thermal transfer printing of variable information. Key features include: indoor and outdoor applications and excellent smudge, solvent and abrasion resistance. When used in combination with the recommended IDENTCO ribbon, it will meet the most demanding durable labeling requirements. Preheating of the label surface will enhance the performance.

Typical Applications:

Rating plates, property identification, nameplates, industrial barcodes and electronic components marking.

Typical Industry Sectors:

Automotive, Electronics, Industrial.



Agency Recognitions

UL-MH16873/MH16225
CSA 089882
RoHS Directive Compliant 2002/95/EC



Exterior Durability

Material Only: 2 Years
Material w/ TTRR-D Ribbon: 2 Years



Adhesion

Stainless Steel	51 oz/in	560 N/m
Polycarbonate	52 oz/in	570 N/m
Polypropylene	18 oz/in	200 N/m
Glass	68 oz/in	740 N/m



Temperature Range

Service Temperature: -40°F to 302°F (-40°C to 150°C)
Minimum Application Temperature: 50°F (10°C)



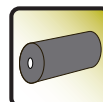
Material Caliper

○Face Stock	.0023"	50.4μ
●Adhesive	.0008"	20.3μ
●Liner(kraft/FL)	.0032"/.0015"	81.3/38.1μ
Total Material	.0063"/.0046"	152.0/108.8μ



Shelf Life

Recommended Storage: 70°F (21°C) 40-50%R.H.
Shelf Life: 2 years @ recommended storage



Recommended Ribbons

TTRR-B	CSA
TTRR-D	CSA
TTRR-S	CSA



Chemical Resistance

Chemical Agents	Material Only (W/o printing)	Printing (TTRR Ribbon)	Printing (Cotton swab rub)
Household Cleaners	Passed	Passed	Passed
Oil	Passed	Passed	Passed
Water	Passed	Passed	Passed
Isopropyl Alcohol	Passed	Passed	Passed
Mild Acid	Passed	Passed	Passed
Mineral Spirits	Passed	Passed	Passed
Toluene	Passed	Failed	Failed



100029090M



ISO 9001

10002909TS2



ISO / TS 16949

10002909UM



ISO 14001

Building Relationships, Creating Value



TECHNICAL DATA

TT701



Process Durability

It is recommended that customers test the material in actual application to determine if the material meets all requirements.

Building Relationships, Creating Value